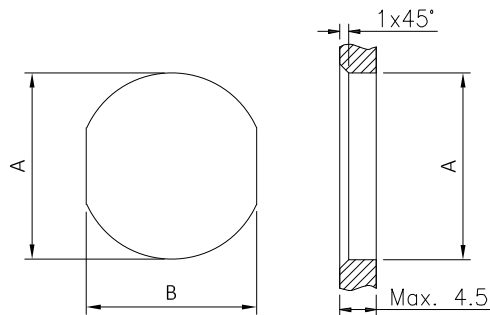


- Technical specifications:
- Rated voltage/current:
3P 300V/13A
4P 300V/13A
5P 300V/9A
 - Degree of protection: IP67
 - Temperature range: -25°C~+80°C
 - Mating cycles: ≥500
 - Contact resistance: ≤5mΩ



Thread	A	B
PG11	18.7	17
PG13.5	20.5	18.8
M20x1.5	20.1	17.8

Recommended Panel cut-out

Order NO. Description

78006 - XX - XXX

SERIES

Mini-change(7/8"), Male
Rear fastened, PCB type

Mounting thread

PG11
PG13.5
M20x1.5

POLES

03=3Poles
04=4Poles
05=5Poles

Series	3PIN	4PIN	5PIN
PIN Layout			
PCB Layout			

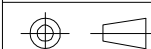
5	Pin	Brass; Gold-plated	3~5
4	Nut	Brass; Nickel plated	1
3	O-Ring	Rubber, Black	1
2	Body	7/8" male Shell, Brass; Nickel plated	1
1	Housing	TPU, Black	1
No.	PART NAME	DESCRIPTION	Q'TY

-TOLERANCES-
UNLESS OTHERWISE
SPECIFIED

UNLESS OTHERWISE SPECIFIED
TOLERANCES FOR MILLIMETERS ARE:
0.5 - 8mm ± 0.20mm
8 - 30mm ± 0.25mm
30 - 120mm ± 0.30mm



RENHOTEC GROUP



PART DESCRIPTION:
7/8" male connector, Panel Mount, Rear fastened, PCB type

Appr: JIM.KING

P/N: 78006-XX-XXX

Check:

Date	Scale	Unit	Type	Page
2022.12.06	Free	MM	Z	1/1

Draw: DING