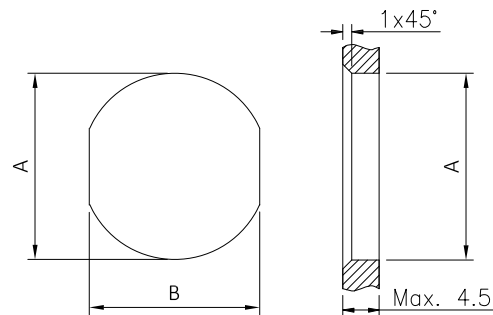


- Technical specifications:
- Rated voltage/current:  
3P 300V/13A  
4P 300V/13A  
5P 300V/9A
  - Degree of protection: IP67
  - Temperature range: -25°C~+80°C
  - Mating cycles: ≥500
  - Contact resistance: ≤5mΩ



Thread	A	B
PG11	18.7	17
PG13.5	20.5	18.8
M20x1.5	20.1	17.8

Recommended Panel cut-out

### Order NO. Description

78008 - XX - XXX

**SERIES**  
Mini-change(7/8"),female  
Rear fastened,PCB type

**POLES**  
03=3Poles  
04=4Poles  
05=5Poles

**Mounting thread**  
PG11  
PG13.5  
M20x1.5

Series	3PIN	4PIN	5PIN
PIN Layout (front view)			
PCB Layout			

5	Pin	Brass; Gold-plated	3~5
4	Nut	Brass; Nickel plated	1
3	O-Ring	Rubber, Black	1
2	Body	7/8" female Shell, Brass; Nickel plated	1
1	Housing	TPU,Black	1
No.	PART NAME	DESCRIPTION	Q'TY

-TOLERANCES- UNLESS OTHERWISE SPECIFIED	<b>RENHOTEC GROUP</b>				
	PART DESCRIPTION: 7/8" female connector, Panel Mount, Front fastened,PCB type				
UNLESS OTHERWISE SPECIFIED TOLERANCES FOR MILLIMETERS ARE: 0.5 - 8mm ± 0.20mm 8 - 30mm ± 0.25mm 30 - 120mm ± 0.30mm	Appr:	JIM.KING			
	Check:	Date	Scale	Unit	Type
	Draw:	2022.12.06	Free	MM	Z
P/N:		78008-XX-XXX			
Date		2022.12.06	Scale	Free	Unit
Type		Z	Page		1/1