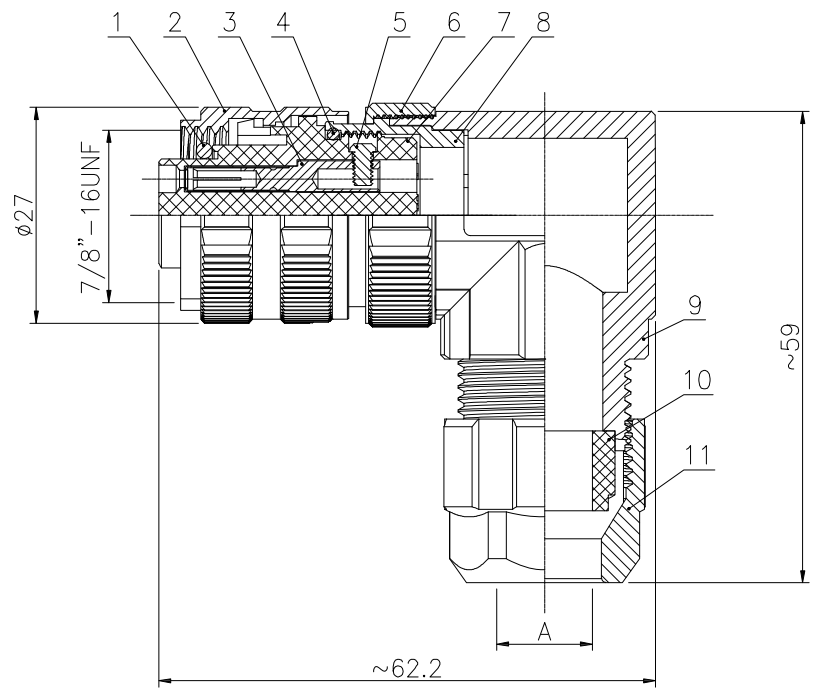
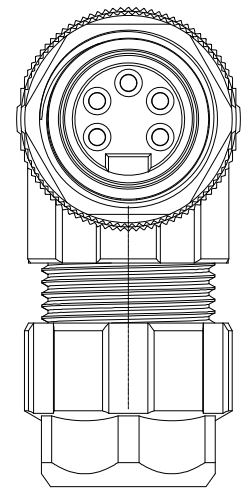
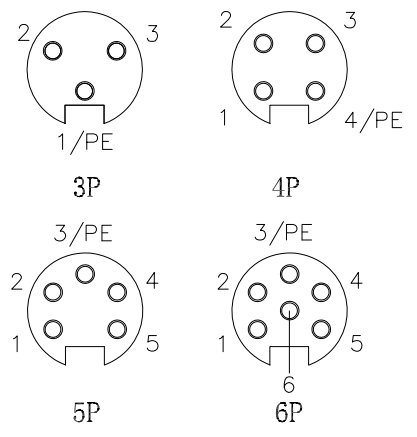


1	2		3			4		5		6		
No.	Specification	Material	Ireat	Unit	Q ty	No.	Specification	Material	Ireat	Unit	Q'ty	
1	∅14x∅11x1.5 O-ring	rubber	/	pc	1	7	Insert	Nylon	/	pc	1	
2	7/8" Nut	Zinc	Nickel	pc	1	8	Tube	Nylon	/	pc	1	
3	Contact	Brass	Gold	pc	3~6	9	Body	Nylon	/	pc	1	
4	∅20x∅16x2 O-ring	rubber	/	pc	1	10	Sleeve	SIL	/	pc	1	
5	Screw	Iron	Zinc	pc	3~6	11	Nut	Nylon	/	pc	1	
6	Nut	Nylon	/	pc	1							

Pin layout



A:
PG9:6~8mm
PG13.5:10~12mm

- Technical specifications:
- Rated voltage/current:
3,4P 300V/13A
5,6P 300V/9A
 - Degree of protection:IP67
 - Temperature range:-25°C~+80°C
 - Mating cycles:≥500
 - Contact resistance:≤5mΩ

Order NO. Description

78016 - XX - XXX

SERIES: Mini-change(7/8"),female Right angle, ASS'Y type

POLES:
03=3Poles
04=4Poles
05=5Poles
06=6Poles

Cable Dia.: PG9, PG13.5

-TOLERANCES- UNLESS OTHERWISE SPECIFIED	RENHOTEC GROUP					
	PART DESCRIPTION: R/A 7/8" Female, ASS'Y type					
UNLESS OTHERWISE SPECIFIED TOLERANCES FOR MILLIMETERS ARE: 0.5 - 8mm ± 0.20mm 8 - 30mm ± 0.25mm 30 - 120mm ± 0.30mm	Appr: JIM.KING	P/N: 78016-XX-XXX				
	Check:	Date	Scale	Unit	Type	Page
	Draw: DING	2022.12.06	Free	MM	Z	1/1