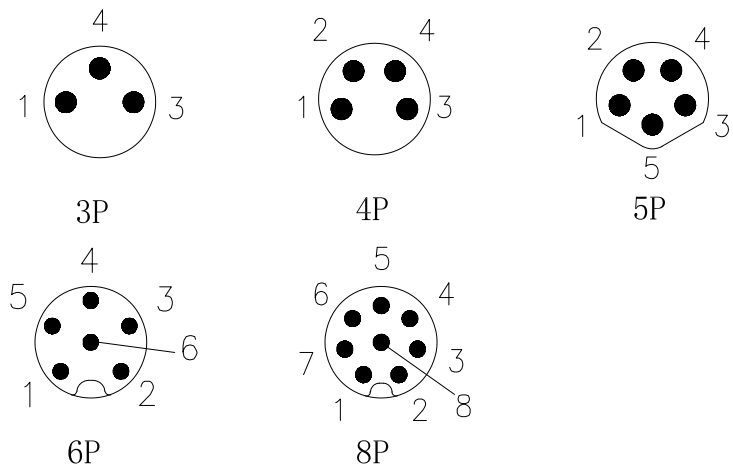
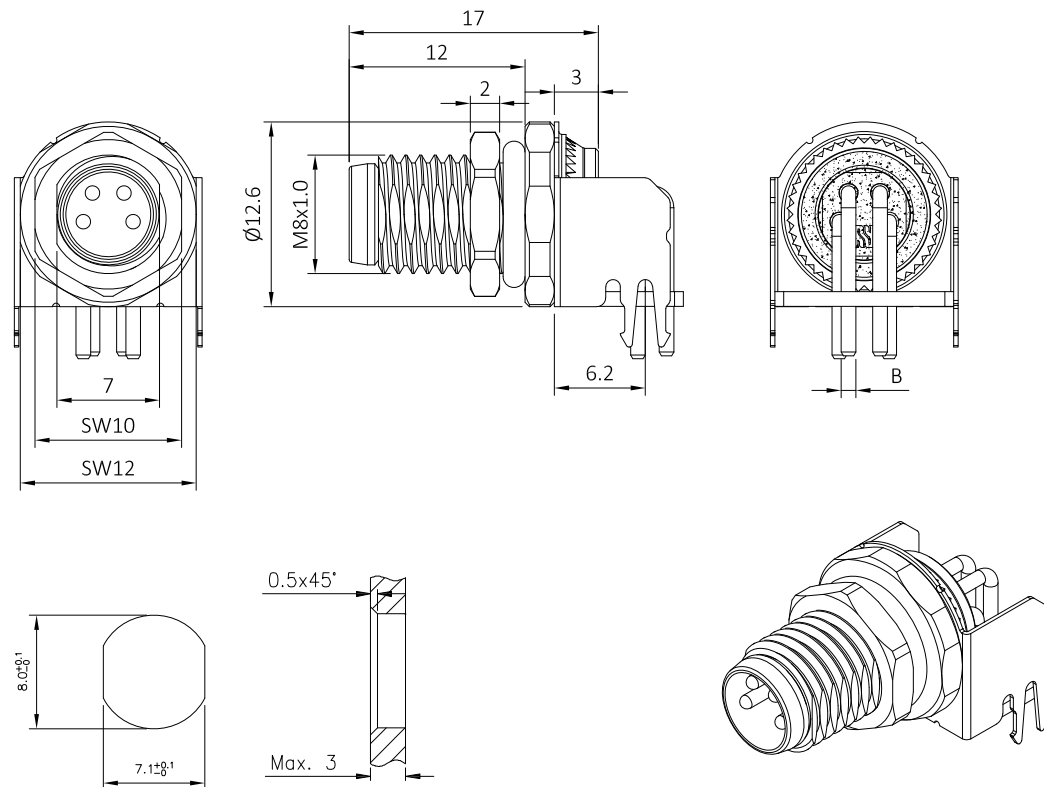
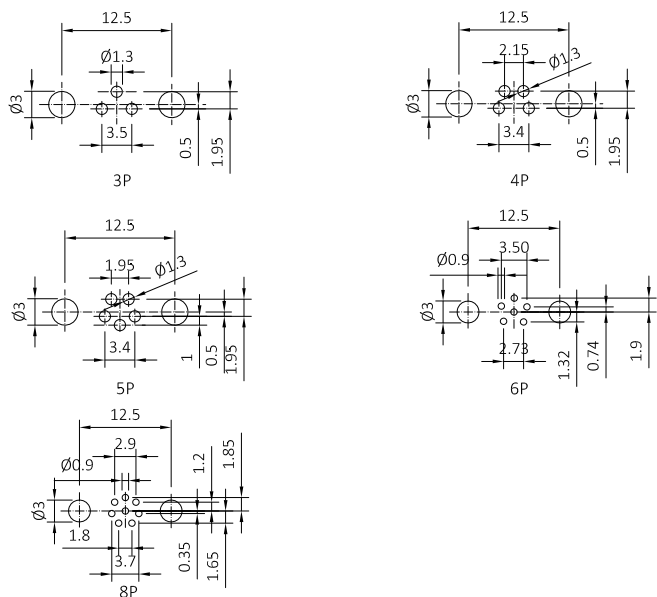


PIN layout



PCB Layout



Recommended
Panel cut-out

B:
2~5P: $\phi 1$ mm
6~8P: $\phi 0.6$ mm

- Technical specifications:
- Rated voltage/current:
3/4pin:60V/3A
5pin:30V/3A
6/8pin:30V/1.5A
 - Degree of protection:IP67
 - Temperature range:-25°C~+80°C
 - Mating cycles: ≥ 500

7	Location-plate	PA66,Black	1
6	Contact	Brass; Gold-plated	3~8
5	Shielded	Brass; Gold-plated	1
4	O-Ring	Rubber, Black	1
3	Nut	Brass; Nickel plated	1
2	Body	M8 Male Shell, Brass; Nickel plated	1
1	Housing	PA66,Black	1
No.	PART NAME	DESCRIPTION	Q'TY

-TOLERANCES- UNLESS OTHERWISE SPECIFIED UNLESS OTHERWISE SPECIFIED TOLERANCES FOR MILLIMETERS ARE: 0.5 - 8mm ± 0.20 mm 8 - 30mm ± 0.25 mm 30 - 120mm ± 0.30 mm	RENHOTEC GROUP				
	PART DESCRIPTION: R/A M8 male Connector				
	Appr: JIM.KING	P/N: RHT-634-3281			
	Check:	Date	Scale	Unit	Type
Draw: DING	2023.05.05	Free	MM	Z	1/1