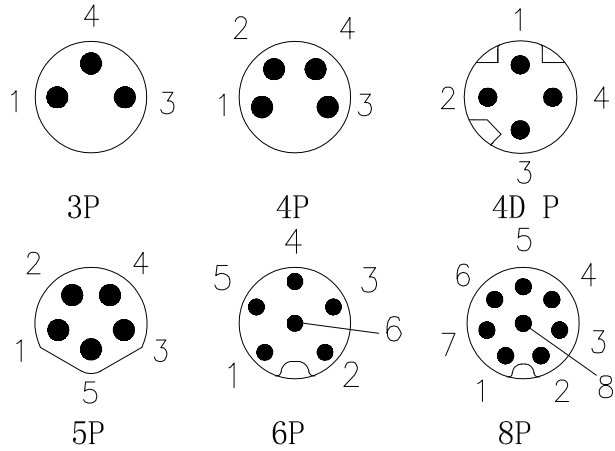
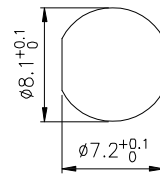
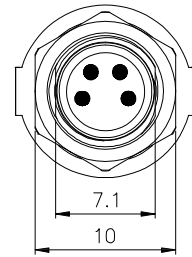
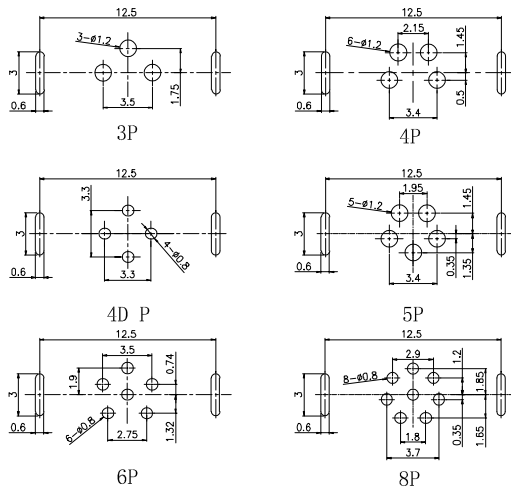


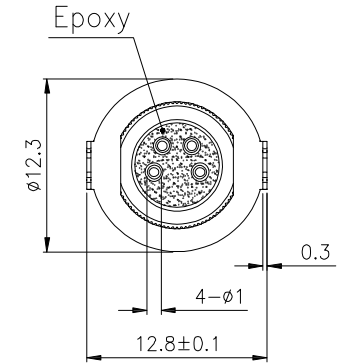
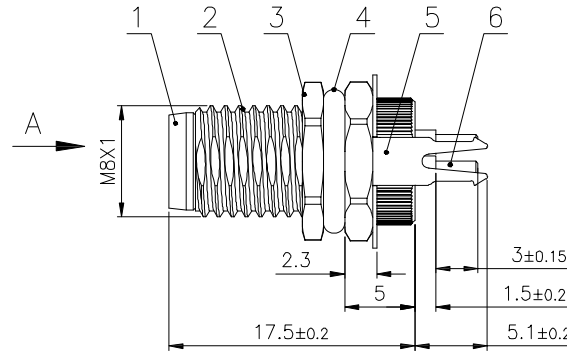
Core layout



PCB LAYOUT



Recommended Panel cut-out



A:
 3P、4P、5P:ø1mm
 4D P、6P、8P:ø0.6mm

Technical specifications:


- Rated voltage/current:
 3/4pin:60V/3A
 5pin:30V/3A
 6/8pin:30V/1.5A
- Degree of protection:IP67
- Temperature range:-25°C~+80°C
- Mating cycles:≥ 500

Product NO.

RHT-634-3057

ISSUE	DESCRIPTION	DWN	DATE	APPROVEN
R1.0	First issue	Ding	2021.11/04	JIM.KING

6	Pin	Brass; Gold-plated	3~8
5	Shell	Brass; Nickel plated	1
4	O-Ring	Rubber, Black	1
3	Nut	Brass; Nickel plated	1
2	Body	M8 Male Shell, Brass; Nickel plated	1
1	Housing	PA66,Black	1
No.	PART NAME	DESCRIPTION	Q'TY

-TOLERANCES- UNLESS OTHERWISE SPECIFIED	 RENHOTEC GROUP					
	PART DESCRIPTION: M8 male					
UNLESS OTHERWISE SPECIFIED TOLERANCES FOR MILLIMETERS ARE: 0.5 - 8mm ± 0.20mm 8 - 30mm ± 0.25mm 30 - 120mm ± 0.30mm	Appr: JIM.KING	P/N: RHT-634-3057				
	Check:	Date	Scale	Unit	Type	Page
	Draw: DING	2021.11.04	Free	MM	Z	1/1