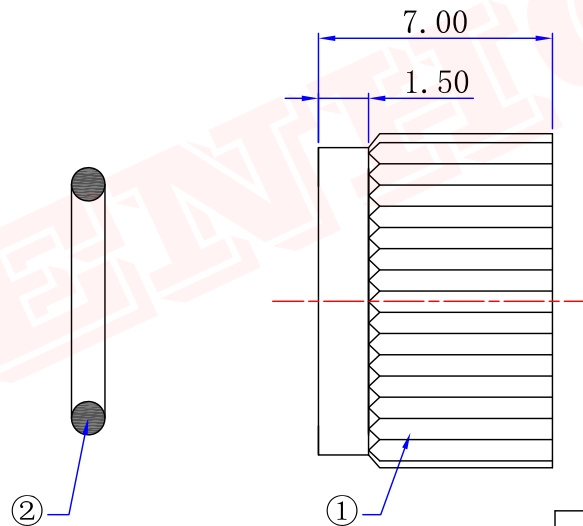
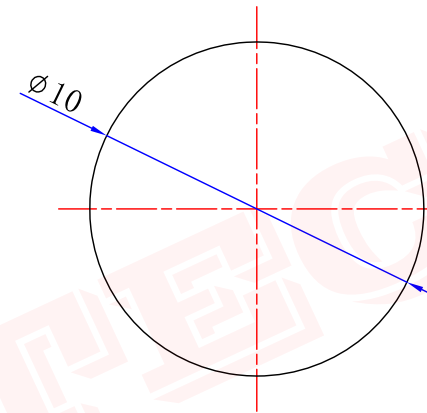
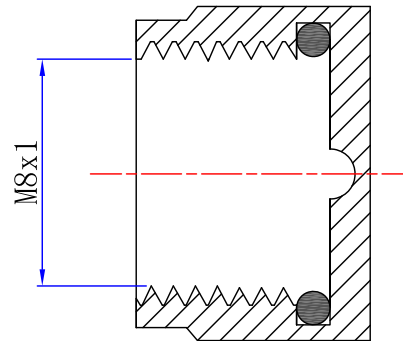
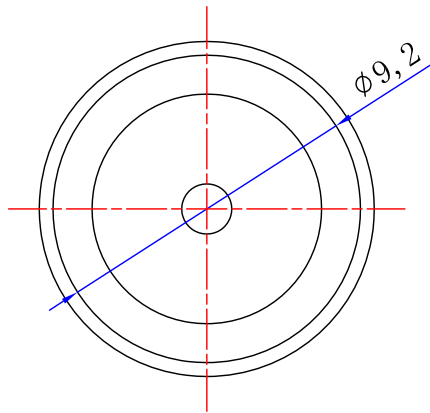




Product NO.		RHT-700-0086			
REV	DESCRIPTION	DWN	DATE	APPROVEN	
A	First issue	Gavin	2019/12/09	JIM. KING	



2	O-RING	NBR	BLACK	1
1	BODY	BRASS	NICKEL	1
NO	DESCRIPTION	MATERIAL	FINISH	QTY

-TOLERANCES- UNLESS OTHERWISE SPECIFIED	<b>RENHOTEC GROUP</b>	
	PART DESCRIPTION: RHT-700-0086	
UNLESS OTHERWISE SPECIFIED TOLERANCES FOR MILLIMETERS ARE: 0.5 - 8mm ± 0.15mm 8 - 30mm ± 0.20mm 30 - 120mm ± 0.30mm	Appd: JIM. KING	P/N: M8 Male Metal dust cover
	Check:	Date: 2019. 12. 09
	Draw: Gavin	Scale: Free
	Unit: MM	Type: Z
	Page: 1/1	