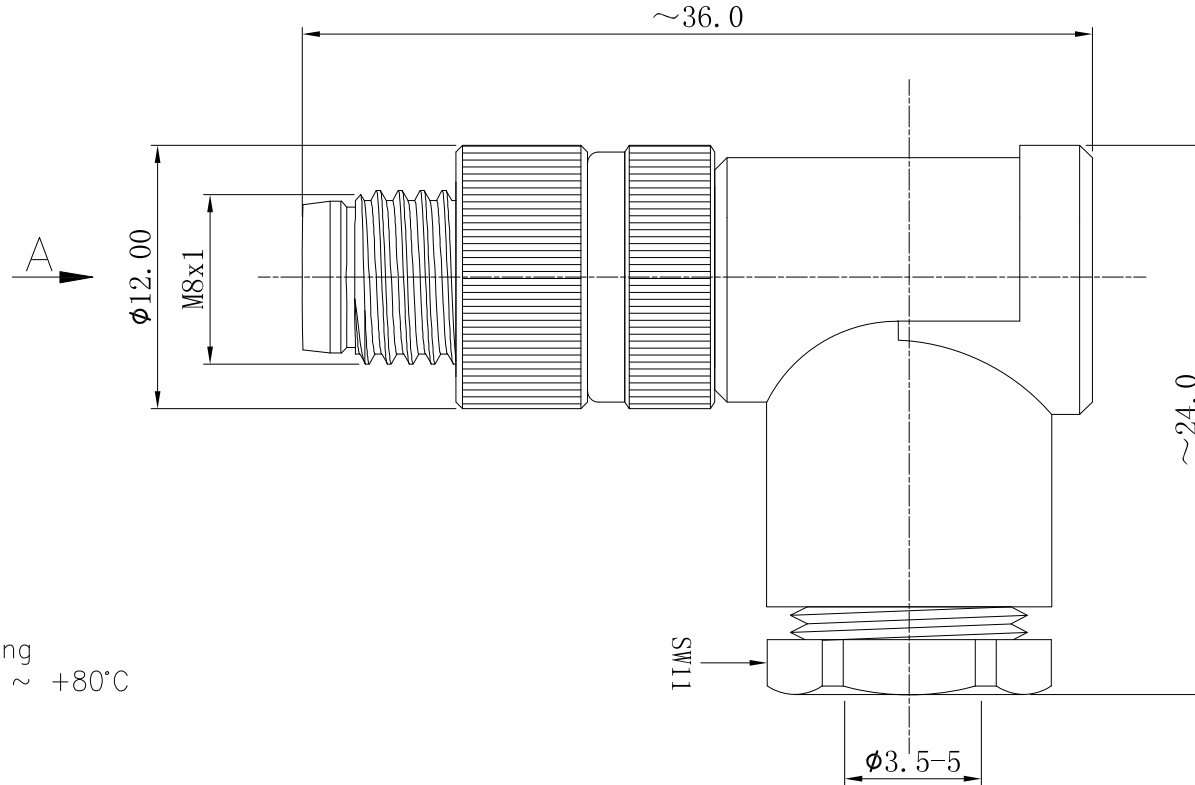
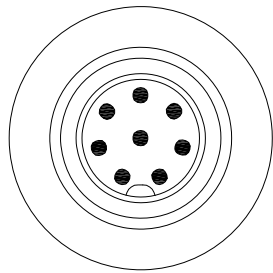




Product NO.		RHT-634-3118		
ISSUE	DESCRIPTION	DWN	DATE	APPROVEN
First	First issue	Ding	2019/05/12	JIM. KING



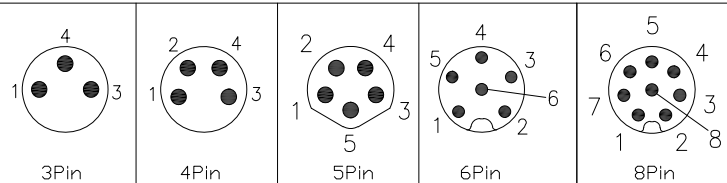
Specifications

Connector locking system: Screw
 Termination: Soldering
 Temperature range: -25°C ~ +80°C
 Mechanical mating: > 100

Contact resistance: ≤5mΩ
 Insulation resistance: >100 MΩ

Contact material: CuZn gold plated over nickel
 Insert material: PA66+GF
 Screw nut material: CuZn nickel plated
 Panel seal: NBR black

Pin Assignments Front View



Rated voltage/current:
 3pin: 60V/3A
 4pin: 60V/3A
 5pin: 60V/3A
 6,8pin: 30V/1.5A

-TOLERANCES- UNLESS OTHERWISE SPECIFIED	RENHOTEC GROUP	
	PART DESCRIPTION: R/A M8 MALE CONNECTOR	
UNLESS OTHERWISE SPECIFIED TOLERANCES FOR MILLIMETERS ARE: 0.5 - 8mm ± 0.20mm 8 - 30mm ± 0.25mm 30 - 120mm ± 0.30mm	Appr: JIM. KING	P/N: RHT-634-3118
	Check:	Date: 2019.05.12
	Draw: Ding	Scale: Free
	Unit: MM	Type: Z
	Page: 1/1	