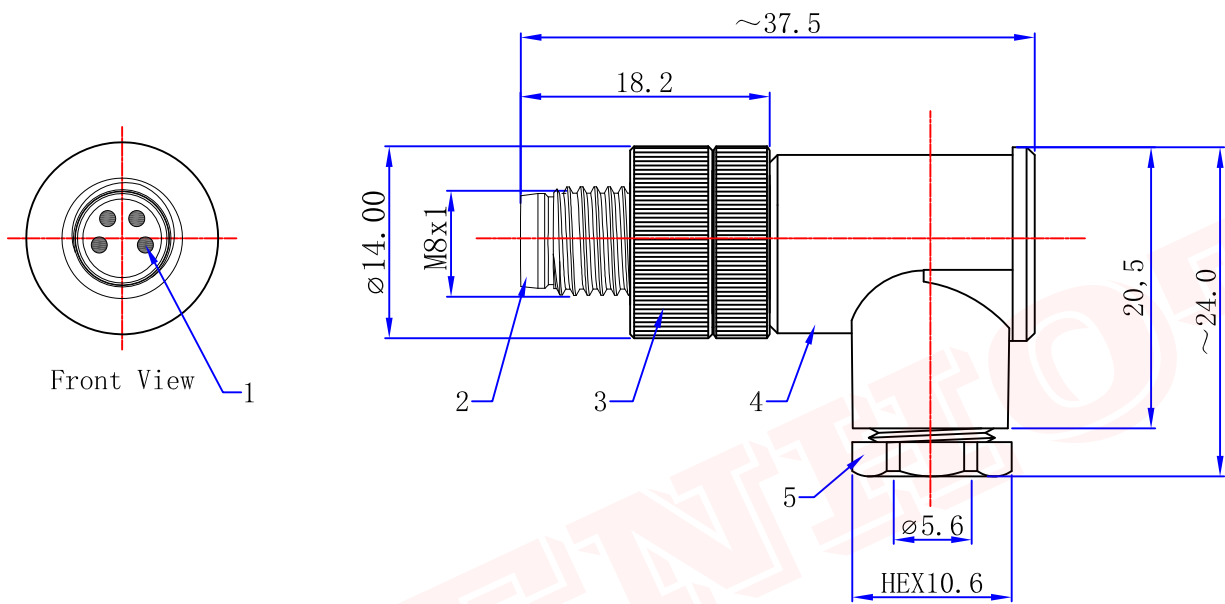




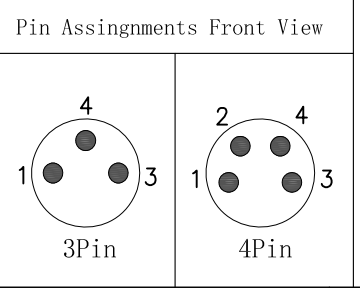
Product NO.		RHT-634-1353			
ISSUE	DESCRIPTION	DWN	DATE	APPROVEN	
R1.0	First issue	Gavin	2020/07/22	JIM. KING	

NOTES:

- Rated voltage/current : 3pin: 60V/3A
4pin: 60V/3A
- Withstanding voltage : 3, 4pin: AC850V/1 Min
- Wire Range :
3pin: 24-22AWG/0.25~0.34mm²
4pin: 24-22AWG/0.25~0.34mm²
- Cable Range: 3.5~5.0mm
- Wire connection mode: Screw
- Operating temperature: -40°C ~ +85°C
- RoHS Compliance



5	Plastic Nut	PA66	Black	1
4	Body	PA66	Black	1
3	Nut M8*1	Brass	Nickel	1
2	Insulator	PA66	Black	1
1	Contacts	Brass	Gold	3-4
NO	Description	Material	Finish	Qty



-TOLERANCES- UNLESS OTHERWISE SPECIFIED UNLESS OTHERWISE SPECIFIED TOLERANCES FOR MILLIMETERS ARE: 0.5 - 8mm ± 0.20mm 8 - 30mm ± 0.20mm 30 - 120mm ± 0.30mm	RENHOTEC GROUP	
	PART DESCRIPTION: Circular Cable Connector, Male, M8, Angled P/N: RHT-634-1353	
Appr: JIM. KING Check: Draw: Gavin	Date: 2020.07.22 Scale: Free Unit: MM	Type: Z Page: 1/1