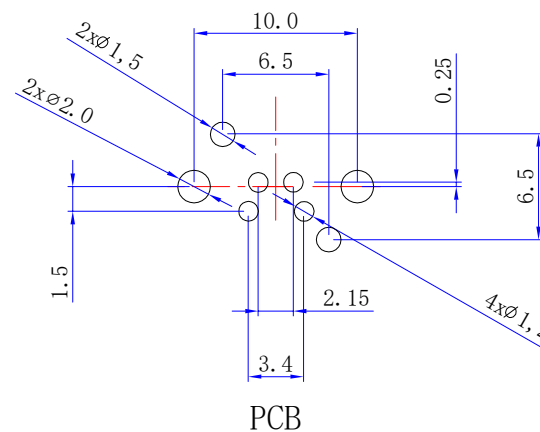
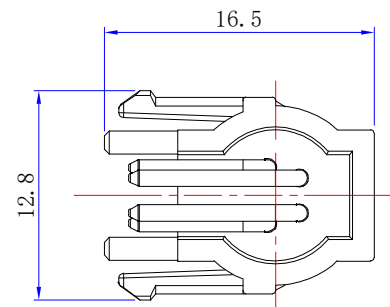
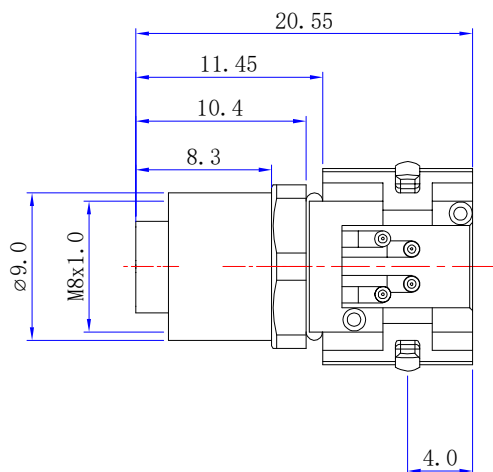
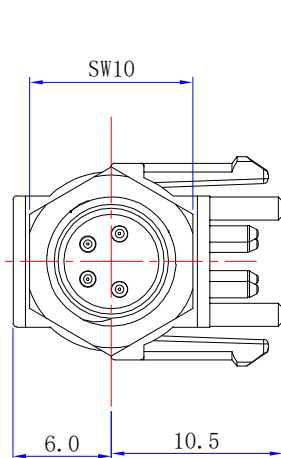




Product NO. RHT-634-1017

ISSUE	DESCRIPTION	DWN	DATE	APPROVEN
R.0	First issue	Gavin	2018/11/22	JIM. KING
R2.0	M8 connector size increased	Gavin	2021/03/25	JIM. KING



NOTE:

MATERIAL

HOUSING:	PBT UL94V-0, BLACK
CONTACT:	BRASS
NUT:	BRASS
SHELL:	BRASS
O-RING:	NBR, BLACK
FINISH	
CONTACT:	GOLD PLATED OVER 50µ" NICKEL
NUT:	NICKEL PLATED
SHELL:	NICKEL PLATED

ELECTRICAL

RATED CURRENT:	3A
RATED VOLTAGE:	60V
INSULATION RESISTANCE:	100 mΩhms MIN.
CONTACT RESISTANCE:	10 MΩhms MAX.
WATER PROOF:	IP67

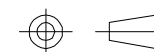
ENVIRONMENT

OPERATION TEMPERATURE: -25°C TO +85°C

-TOLERANCES-
UNLESS OTHERWISE
SPECIFIED



RENHOTEC GROUP



PART DESCRIPTION:
M8 4P R/A JACK CONNECTORS

UNLESS OTHERWISE SPECIFIED
TOLERANCES FOR MILLIMETERS ARE:
0.5 - 8mm ± 0.20mm
8 - 30mm ± 0.25mm
30 - 120mm ± 0.30mm

Appr: JIM. KING

P/N: RHT-634-1017

Check:

Date

Scale

Unit

Type

Page

Draw:

Gavin

2021.03.25

Free

MM

Z

1/1