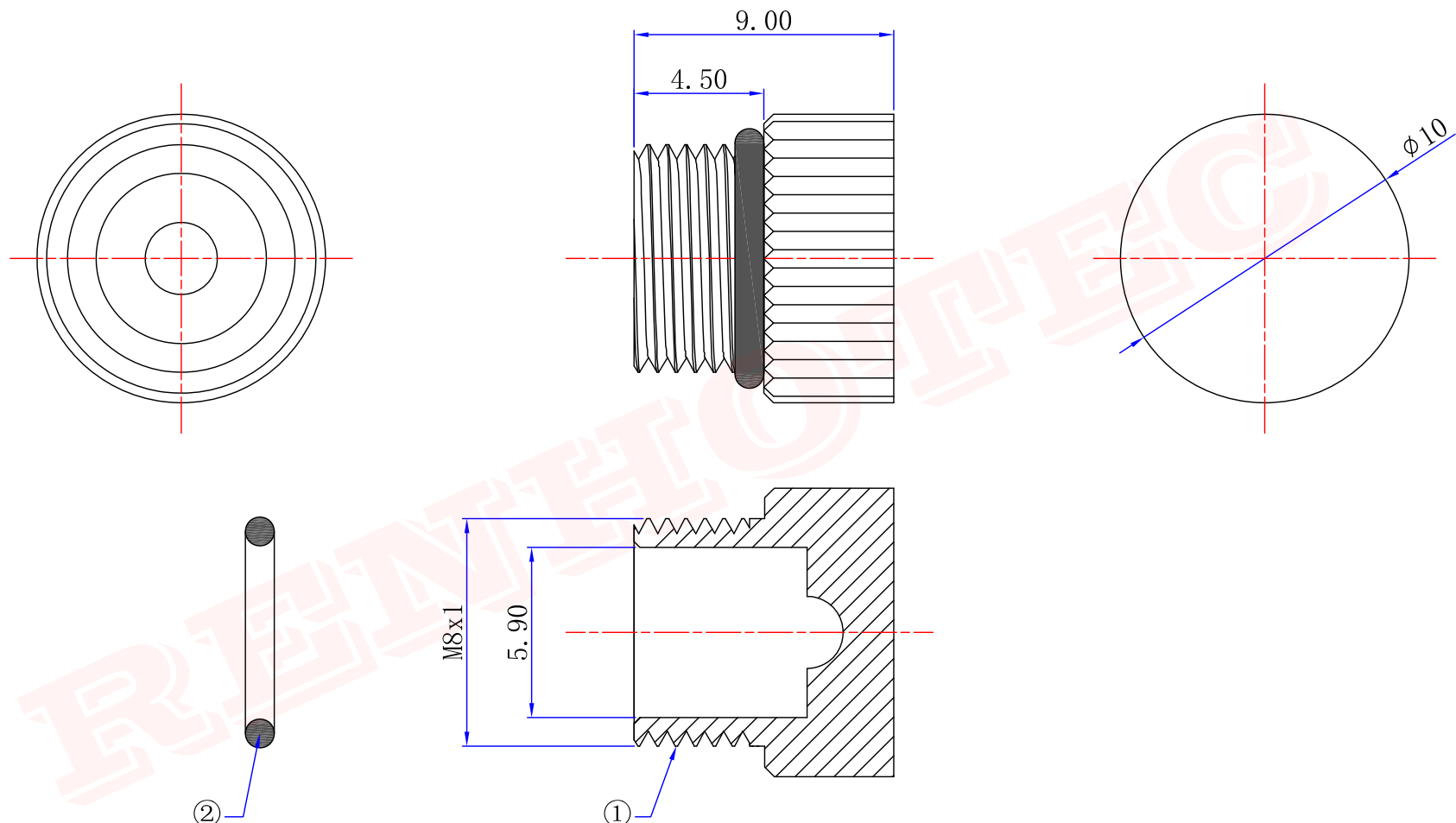




Product NO.		RHT-700-0085			
REV	DESCRIPTION	DWN	DATE	APPROVEN	
A	First issue	Gavin	2019/12/09	JIM. KING	



2	O-RING	NBR	BLACK	1
1	BODY	BRASS	NICKEL	1
NO	DESCRIPTION	MATERIAL	FINISH	QTY

-TOLERANCES- UNLESS OTHERWISE SPECIFIED UNLESS OTHERWISE SPECIFIED TOLERANCES FOR MILLIMETERS ARE: 0.5 - 8mm ± 0.15mm 8 - 30mm ± 0.20mm 30 - 120mm ± 0.30mm	RENHOTEC GROUP www.renhotec.com		PART DESCRIPTION: RHT-700-0085				
	Appd: JIM. KING Check: Draw: Gavin		P/N: M8 Female Metal dust cover	Date 2019. 12. 09	Scale Free	Unit MM	Type Z