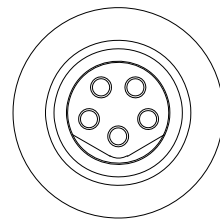
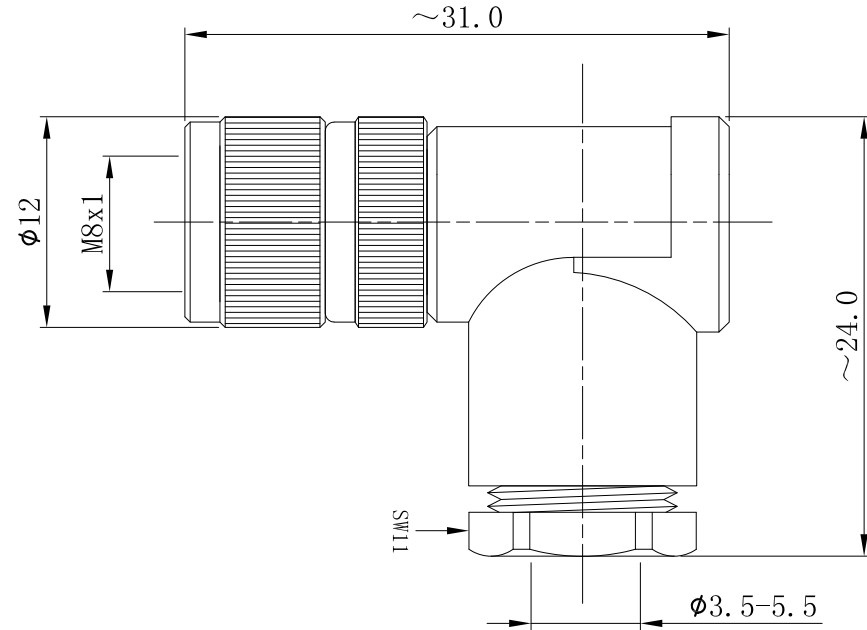




Product NO.		RHT-634-1278			
ISSUE	DESCRIPTION	DWN	DATE	APPROVEN	
First	First issue	Ding	2022. 12. 01	JIM. KING	



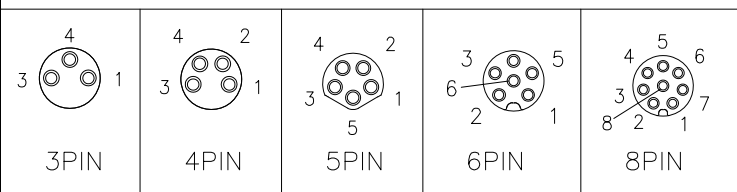
A



Specifications

Connector locking system:	Screw
Termination	Soldering
Temperature range:	-25°C ~ +80°C
Machanical mating:	> 100
Contact resistance:	≤5mΩ
Insulation resistance:	>100 MΩ
Contact material:	CuZn gold plated over nickel
Insert material:	PA66+GF
Screw nut material:	CuZn nickel plated
Panel seal:	NBR black

Pin Assingments Front View



Rated voltage/current:
 3pin: 60V/3A
 4pin: 60V/3A
 5pin: 60V/3A
 6,8pin: 30V/1.5A

-TOLERANCES- UNLESS OTHERWISE SPECIFIED UNLESS OTHERWISE SPECIFIED TOLERANCES FOR MILLIMETERS ARE: 0.5 - 8mm ± 0.15mm 8 - 30mm ± 0.20mm 30 - 120mm ± 0.30mm	RENHOTEC GROUP				
	PART DESCRIPTION: R/A M8 FEMALE CONNECTOR				
Appr: JIM. KING	P/N: RHT-634-1278				
Check:	Date	Scale	Unit	Type	Page
Draw: Ding	2022. 12. 01	Free	MM	Z	1/1