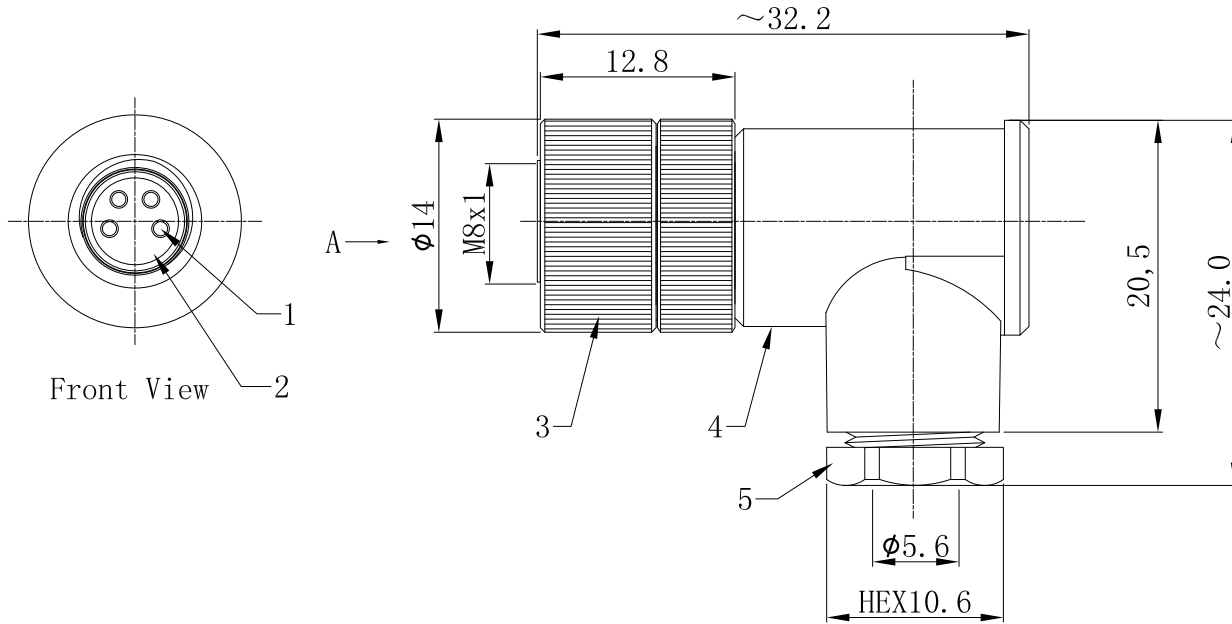




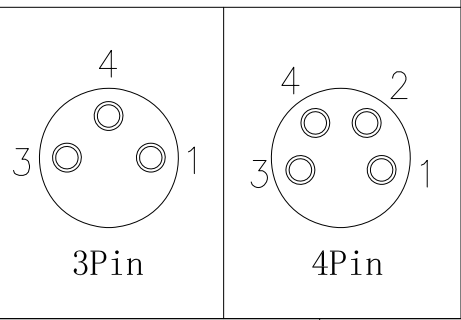
Product NO.		RHT-634-1330		
ISSUE	DESCRIPTION	DWN	DATE	APPROVEN
RL.0	First issue	Gavin	2020/04/07	JIM. KING



NOTES:

- Rated voltage/current : 60V/3A
- Withstanding voltage : 4AC850V/1 Min
- Wire Range :
24-22AWG/0.25~0.34mm²
- Cable Range:3.5~5.0mm
- Wire connection mode: Screw
- Operating temperature:-40℃ ~+85℃
- RoHS Compliance

Pin Assignment Front View

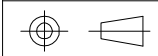


5	Plastic Nut	PA66	Black	1
4	Body	PA66	Black	1
3	Nut M8*1	Brass	Nickel	1
2	Insulator	PA66	Black	1
1	Contacts	Brass	Gold	3-4
NO	Description	Material	Finish	Qty

-TOLERANCES-
UNLESS OTHERWISE
SPECIFIED



RENHOTEC GROUP



NAME:
R/A M8 Female Connector

UNLESS OTHERWISE SPECIFIED
TOLERANCES FOR MILLIMETERS ARE:
0.5 - 8mm ± 0.20mm
8 - 30mm ± 0.25mm
30 - 120mm ± 0.30mm

Appr: JIM. KING	P/N: RHT-634-1330				
Check:	Date	Scale	Unit	Type	Page
Draw: Gavin	2020.04.07	Free	MM	Z	1/1