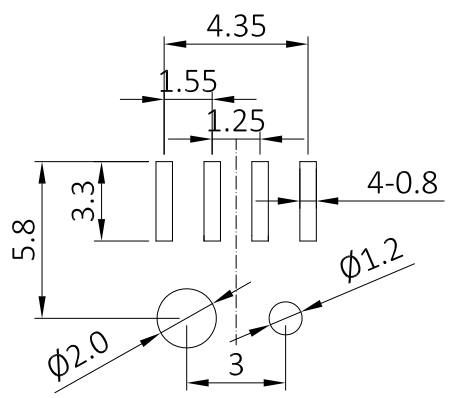
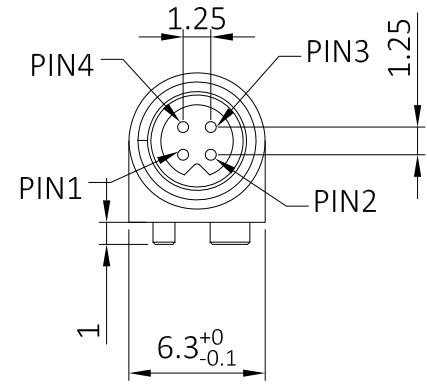
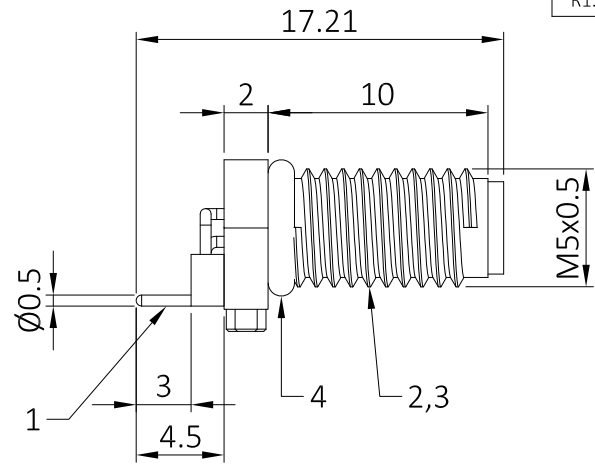
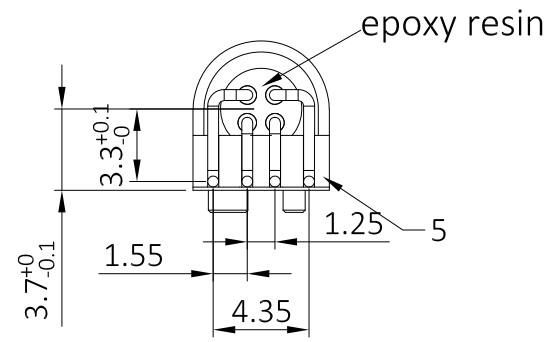
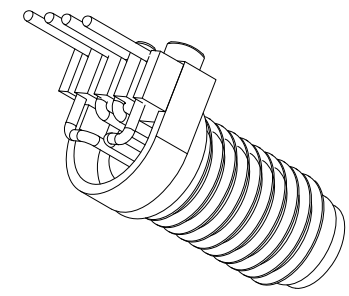
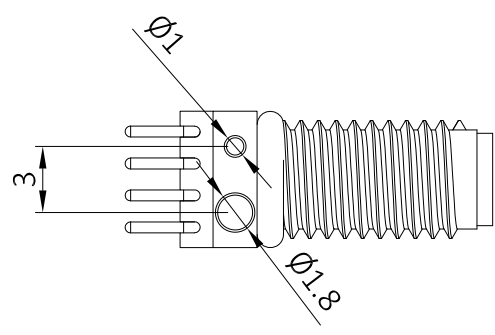




Product NO.		RHT-634-1411			
ISSUE	DESCRIPTION	DWN	DATE	APPROVEN	
R1.0	First issue	Ding	2021/05/18	JIM.KING	



Recommended PCB Layout



5	Housing	PA66,Black	1
4	O-Ring	Rubber, Black	1
3	Body	M5 female Shell, Brass; Nickel plated	1
2	Housing	M5 4Pin male ,PA66,Black	1
1	Pin	Brass; Gold-plated	4
No.	PART NAME	DESCRIPTION	Q'TY

-TOLERANCES- UNLESS OTHERWISE SPECIFIED UNLESS OTHERWISE SPECIFIED TOLERANCES FOR MILLIMETERS ARE: 0.5 - 8mm ± 0.20mm 8 - 30mm ± 0.25mm 30 - 120mm ± 0.30mm	RENHOTEC GROUP	
	PART DESCRIPTION: M5 male 4Pin, PCB TYPE P/N: RHT-634-1411	
Appr: JIM.KING Check: Draw: DING	Date: 2021.05.18 Scale: Free Unit: MM Type: Z Page: 1/1	