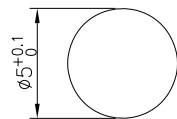
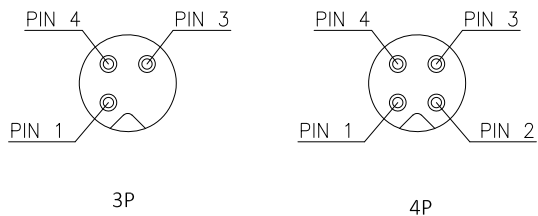
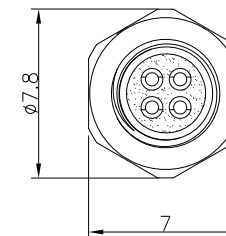
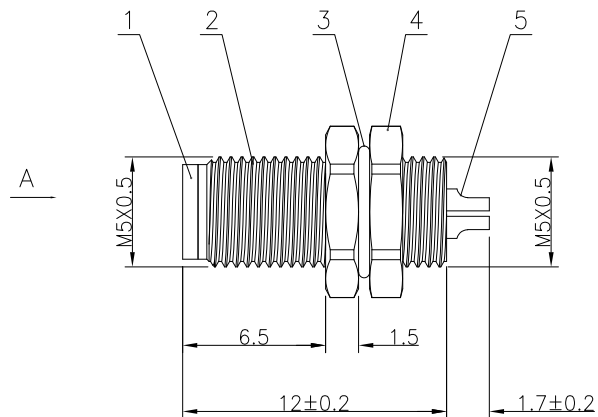
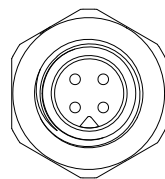


Core layout



Recommended  
Panel cut-out



Technical specifications:

1. Rated voltage/current: 60V/1A
2. Degree of protection: IP67
3. Temperature range: -25°C~+80°C
4. Mating cycles: ≥500
5. Contact resistance: ≤5mΩ

5	Contact	Brass; Gold-plated	3~4
4	Nut	Brass; Nickel plated	1
3	O-Ring	Rubber, Black	1
2	Body	M5 Male Shell, Brass; Nickel plated	1
1	Housing	PA66,Black	1
No.	PART NAME	DESCRIPTION	Q'TY

-TOLERANCES- UNLESS OTHERWISE SPECIFIED	<b>RENHOTEC GROUP</b>	
	PART DESCRIPTION: M5 male Connector Rear fastened,Solder type	
UNLESS OTHERWISE SPECIFIED TOLERANCES FOR MILLIMETERS ARE: 0.5 - 8mm ± 0.20mm 8 - 30mm ± 0.25mm 30 - 120mm ± 0.30mm	Appr: JIM.KING	P/N: M5001-XP
	Check:	Date      Scale      Unit      Type      Page
	Draw: DING	2022.11.01      Free      MM      Z      1/1