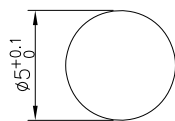
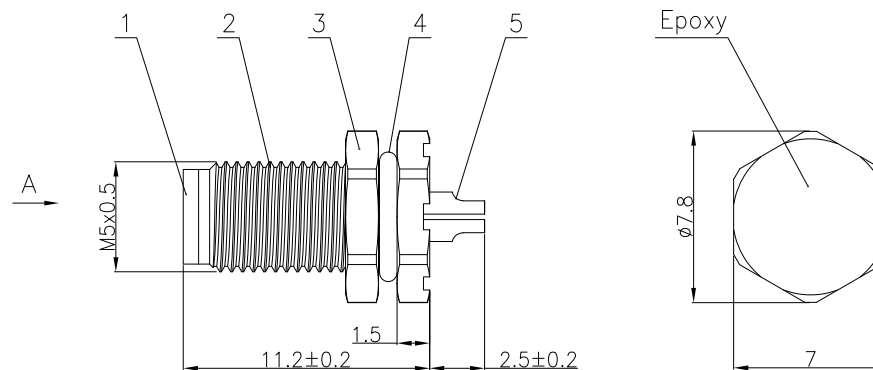
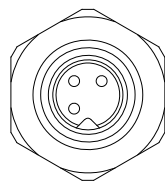
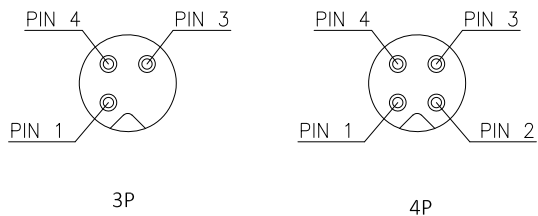


Core layout



Recommended
Panel cut-out

Technical specifications:

1. Rated voltage/current: 60V/1A
2. Degree of protection: IP67
3. Temperature range: -25°C~+80°C
4. Mating cycles: ≥500
5. Contact resistance: ≤5mΩ

5	Contact	Brass; Gold-plated	3~4
4	O-Ring	Rubber, Black	1
3	Nut	Brass; Nickel plated	1
2	Body	M5 Male Shell, Brass; Nickel plated	1
1	Housing	PA66,Black	1
No.	PART NAME	DESCRIPTION	Q'TY

-TOLERANCES- UNLESS OTHERWISE SPECIFIED	RENHOTEC GROUP					
	PART DESCRIPTION: M5 male Connector front fastened,Solder type					
UNLESS OTHERWISE SPECIFIED TOLERANCES FOR MILLIMETERS ARE: 0.5 - 8mm ± 0.20mm 8 - 30mm ± 0.25mm 30 - 120mm ± 0.30mm	Appr: JIM.KING	P/N: M5003-XP				
	Check:	Date	Scale	Unit	Type	Page
	Draw: DING	2022.11.01	Free	MM	Z	1/1