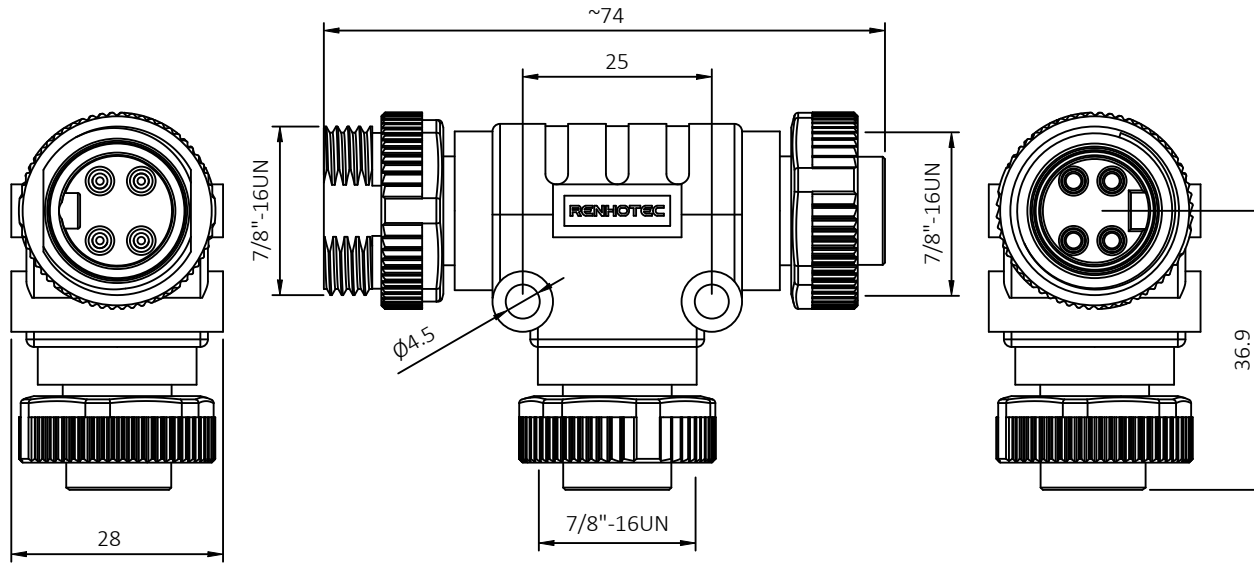
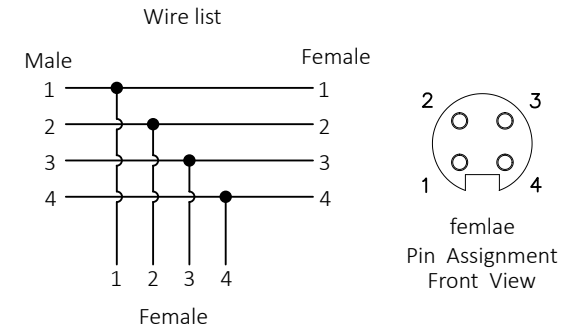
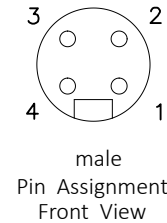
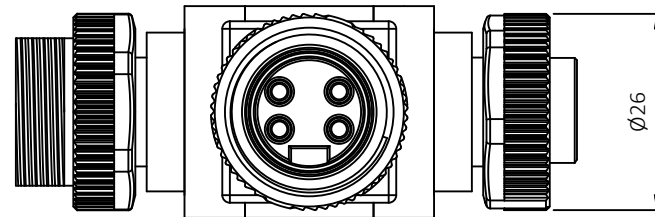




ISSUE	DESCRIPTION	DWN	DATE	APPROVEN
R1.0	First issue	Ding	2024/08/10	JIM.KING



- Specifications:
- 1.IP rating: IP67
 - 2.Ambient temperature: -25℃~+85℃
 - 3.Mating endurance: >100cycles
 - 4.Rated voltage: 300V AC/DC
 - 5.Rated current:9A
 - 6.Contact resistance: ≤5mΩ
 - 7.Insulation resistance:≥100 MΩ



9	O-Ring	Rubber,black	2
8	Screw nut	7/8" screw inner thread, Zinc with nickel plated	2
7	Connector	7/8" Female 4P Connector Insert,TPU black	2
6	Pin	Brass, Female Pin,Gold Flash	8
5	Cable	18AWG	4
4	Molding	PVC, Black	1
3	Screw	7/8" screw thread, Zinc with nickel plated	1
2	Pin	Brass, Male Pin,Gold Flash	4
1	Connector	7/8" Male 4pin Connector Insert,TPU Black	1
No.	PART NAME	DESCRIPTION	Q'TY

-TOLERANCES- UNLESS OTHERWISE SPECIFIED		RENHOTEC GROUP				
UNLESS OTHERWISE SPECIFIED TOLERANCES FOR MILLIMETERS ARE: 0.5 - 8mm ± 0.20mm 8 - 30mm ± 0.25mm 30 - 120mm ± 0.30mm				PART DESCRIPTION: Mini-change(7/8") T-Splitter, 4-Pole Female-Male-Female		
		Appr: JIM.KING		P/N: RHT-634-3504		
Check:		Date: 2024.08.10	Scale: Free	Unit: MM	Type: Z	Page: 1/1
Draw: DING		Date: 2024.08.10	Scale: Free	Unit: MM	Type: Z	Page: 1/1