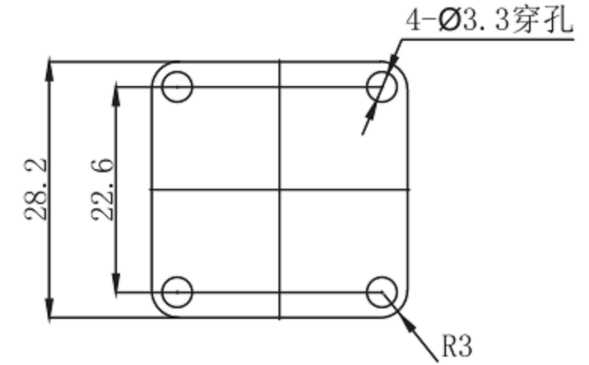
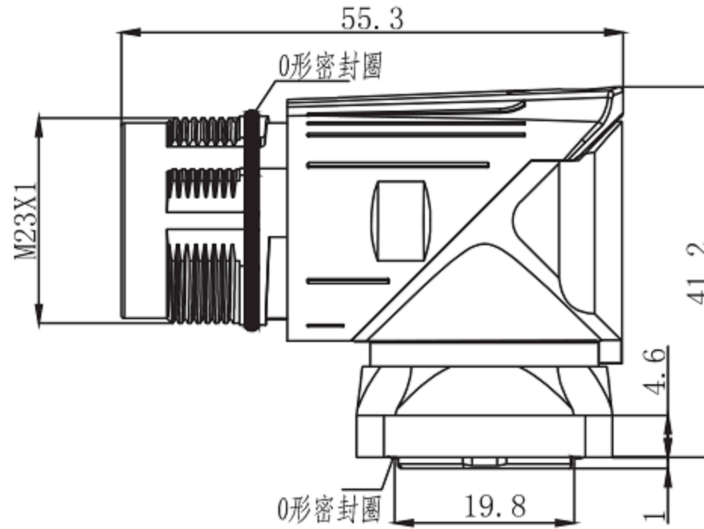
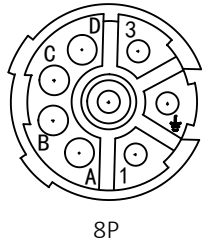
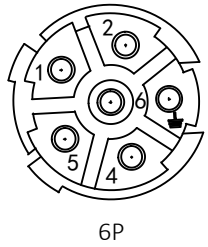


4	5	6
发行版本 Revision	修改内容 Description	制图 Drawing
A / O	First release	Ding
		日期 Date
		2023.06.02

Pin Assignment
(Front View)



Technology parameter:

P/N	M923D1-06	M923D1-08
NO.of contacts	6	8
Rated current/voltage	30A/630V	30A/620V 9A/250V
Operation limit voltage(AC.V.rms)	800	800
Withstanding voltage (AC.V.rms) 1 minute	4000	2500
Insulation resistance	≥3000MΩ	≥3000MΩ
Contact resistance	≤3mΩ	≤3mΩ
Cup mouth aperture	Ø2	Ø3
Contact diameter	Ø2*6	Ø1*4 Ø2*4

Material and specifications:

1. Coupling: Threaded coupling
2. Shell material: Zinc alloy with nickelplate
3. Insert material: PA66+GF
4. Contact material: copper, gold-plated
5. Termination: Crimp
6. Mating cycle: >500 cycles
7. Temperature range: -20°C ~ +85°C
8. Cable diameter: Ø8 ~ Ø14mm

客户料号 Cus' P/N		图号 File No.	M923D1-xx		品名 Name	M23 Male, Heavy duty 90° angled socket			
未注公差 Unless Otherwise Specified		单位 Unit	mm	版本 Revision	A/O	图纸确认 APPROVAL	日期 Date		
线性 Linear	0.5~6	±0.1	比例 Scale	—	 Third Angle Projection	绘图 Drawing	Ding	2023.06.02	
	>6~30	±0.2				审核 Checked	Jim	2023.06.02	
角度 Angles	±3°		页码 Page	1/1	客户确认 Customer Approved				