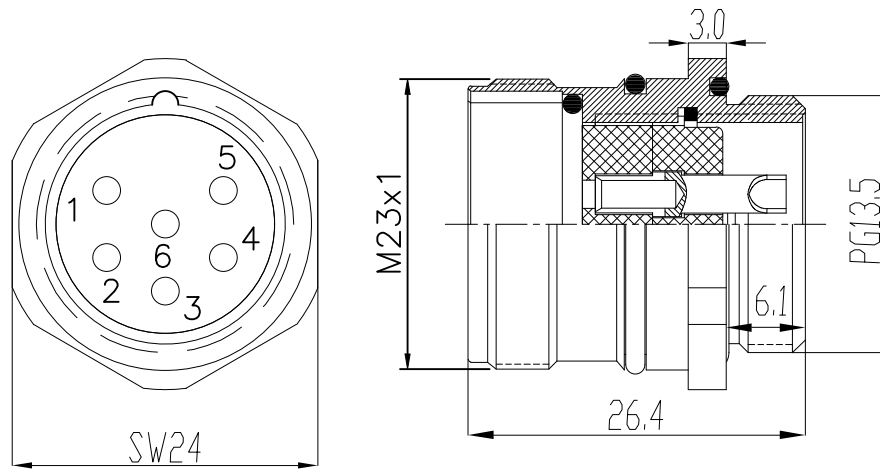
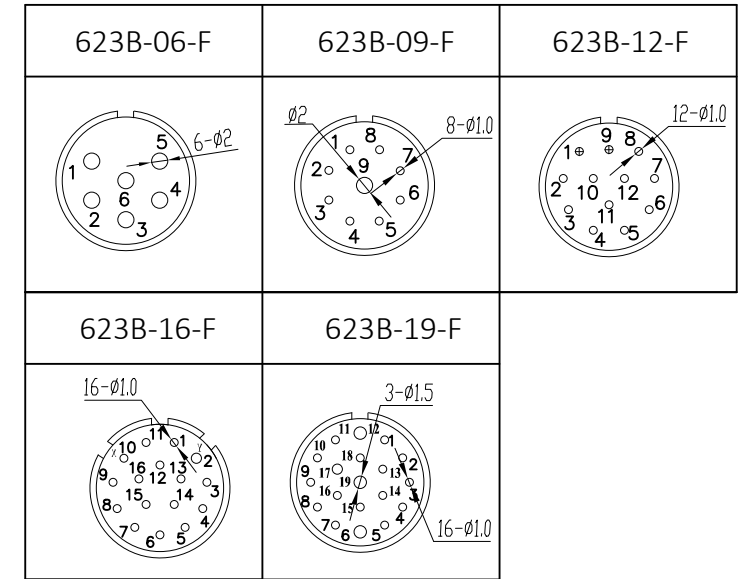


发行版本 Revision	修改内容 Description	制图 Drawing	日期 Date
A / 0	First release	Ding	2023.06.02



Pin Assignment  
(Front View)



Technology parameter:

P/N	623B-06-F	623B-09-F	623B-12-F	623B-16F	623B-19-F
NO.of contacts	6	9	12	16	19
Rated current/voltage	20A/200V	8A/260V 20A/300V	8A/200V	8A/125V	8A/125V 20A/200V
Operation limit voltage(AC.V.rms)	250	250	250	200	200
Withstanding voltage (AC.V.rms) I minute	2500	2500	2500	2500	2500
Insulation resistance	≥100MΩ	≥100MΩ	≥100MΩ	≥100MΩ	≥100MΩ
Contact resistance	≤5mΩ	≤5mΩ	≤5mΩ	≤5mΩ	≤5mΩ
Solder cup mouth aperture	ø2.3	ø1.3 ø2.3	ø1.3	ø1.3	ø1.3
Contact diameter	ø2	ø1x8 ø2x1	ø1	ø1	ø1x1.6 ø1.5x3

Material and specifications:

1. Coupling: Threaded coupling
2. Shell material:Zinc alloy with nikelplate
3. Insert material:PA66+GF
4. Contact material:copper,gold-plated
5. Termination:Solder
6. Mating cycle:>500 cycles
7. Temperature range:-40℃~+120℃
8. Cable diameter:ø5mm~ø8mm

客户料号 Cus' P/N		图号 File No.	623B-xx-F		品名 Name	M23 Female connector Rear mount,solder type	
未注公差 Unless Otherwise Specified		单位 Unit	mm	版本 Revision	A/0	图纸确认 APPROVAL	日期 Date
线性 Linear	0.5~6	±0.1	比例 Scale	—	 Third Angle Projection	绘图 Drawing	Ding
	>6~30	±0.2				审核 Checked	Jim
角度 Angles	>30	±2%	页码 Page	1/1	客户确认 Customer Approved		2023.06.02