



仁昊伟业  
RENHOTEC

## SMP/Mini-SMP/SMPS High Frequency Connector Series



Renhotec Group Limited

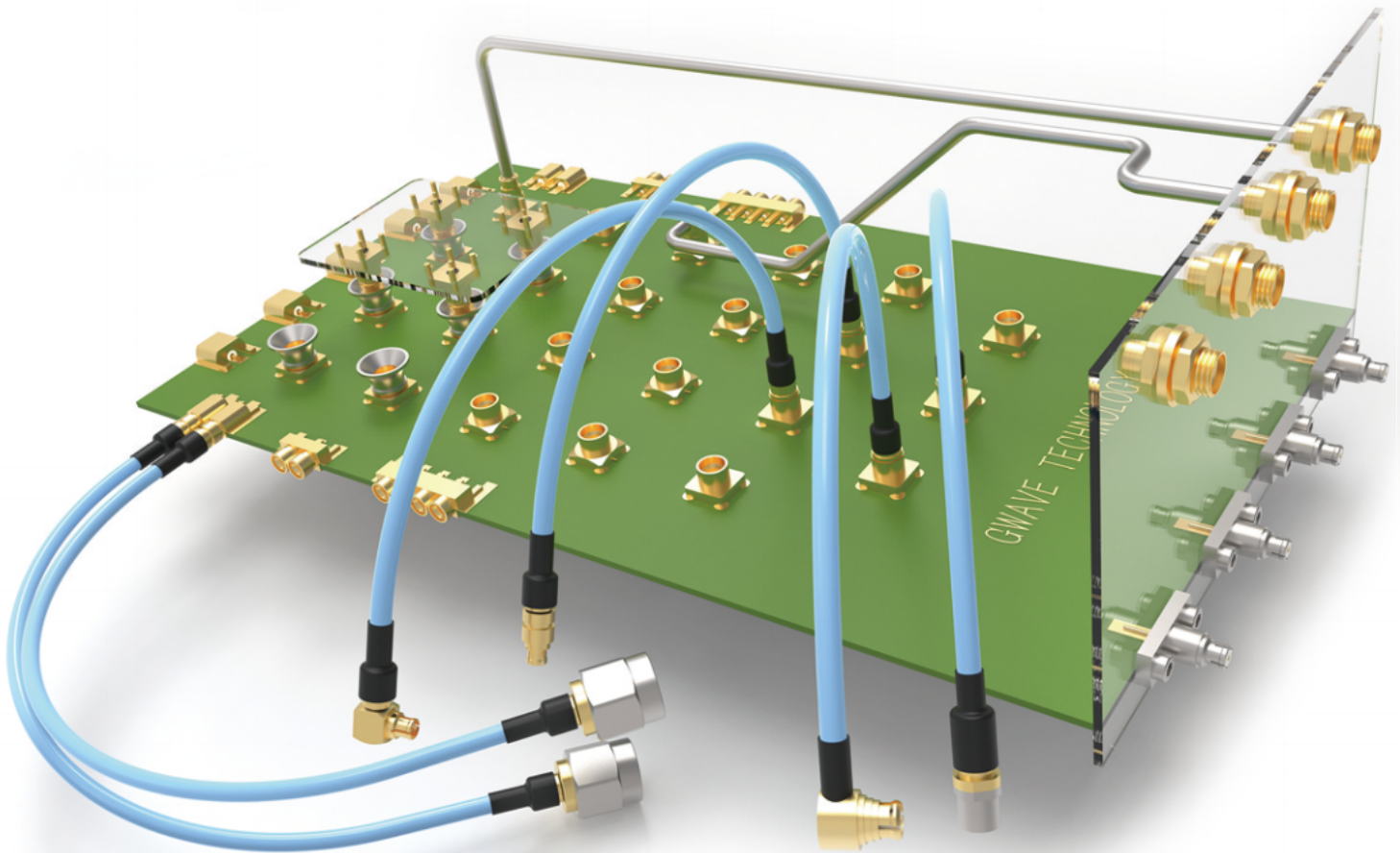
## SMP/Mini-SMP/SMPS High Frequency Connector Series

SMP, its male connector can be divided into three types: Full Detent, Smooth Bore, and Limited Detent according to the tightness of the blind mating fit, which are used in different scenarios.

Mini-SMP is a very miniaturized connector standard that supports frequencies up to 50GHz. It is a non-screwing connection. It is a typical plug-in (blind plug) connector. Its interface standard includes the definition of plug and pull tolerance and the definition of retention force.

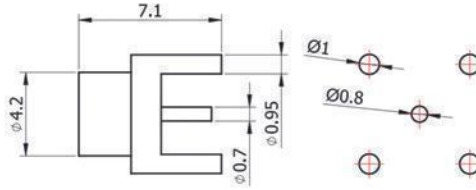
SMPS, its end face with small size and frequency up to 100GHz. It is 45% smaller than the SMP connector end face and 35% smaller than the Mini-SMP connector. It can meet the standards in industry applications, requirements and personalized configuration needs, supporting customization of cable assemblies of different lengths and different configurations.

**DC-18GHz DC-26.5GHz DC-40GHz Available for Choose**



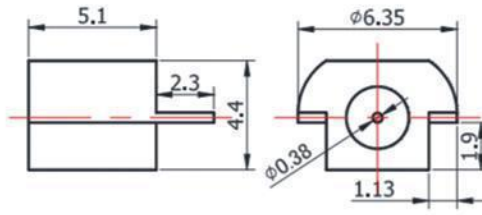
P/N	Picture	Drawing	Remark
-----	---------	---------	--------

RHT-S-JHD1

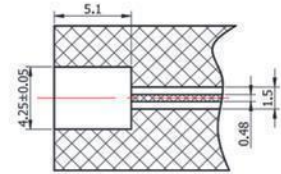


1. Material: Brass/Gold Plating  
2. Limited Detent

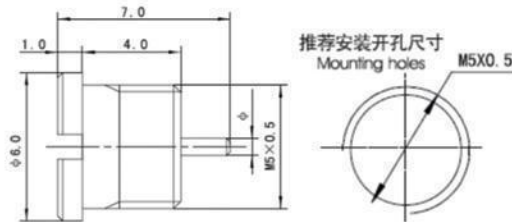
RHT-S-JHD10



1. Material: Brass/Gold Plating  
2. Limited Detent  
3. Recommend PCB Layout

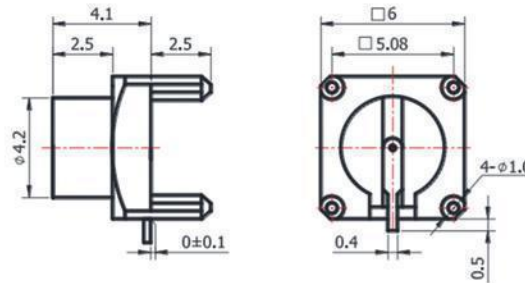


Model	L
RHT-S-JYD26G-L	0.70mm
RHT-S-JYD26AG-L	0.45mm



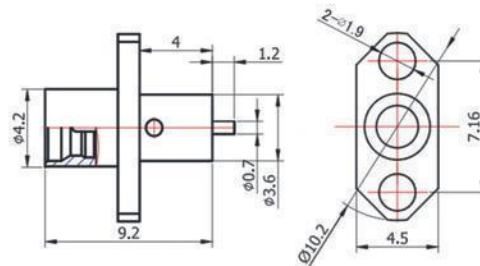
1. Material: Stainless Steel  
2. Limited Detent

RHT-S-JHD23-L



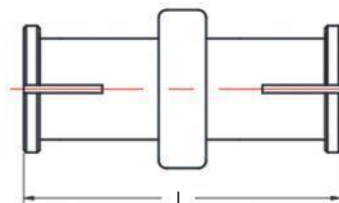
1. Material: Brass/Gold Plating  
2. Limited Detent

RHT-S-JHD246-L




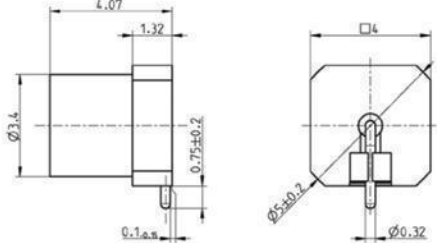
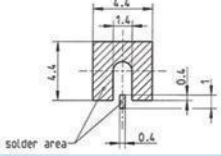

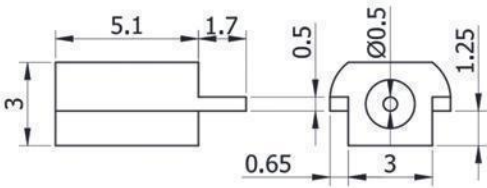
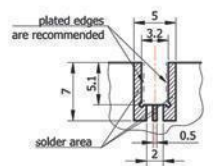

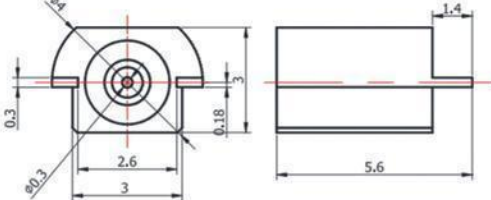
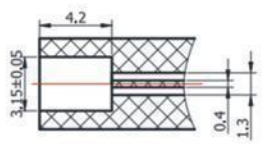

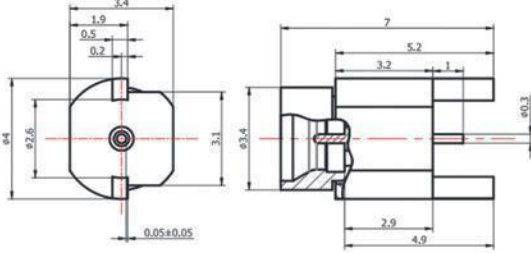

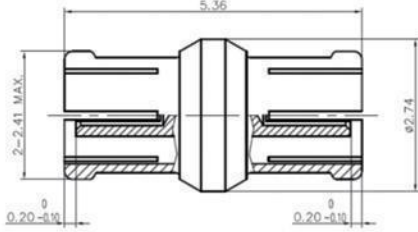

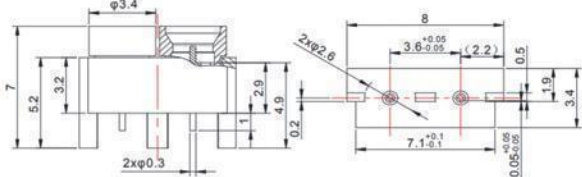
1. Material: Brass/Gold Plating  
2. Full Detent

Model	L
RHT-S-KK4	8.0mm
RHT-S-KK5	8.4mm



1. Material: Brass/Gold Plating  
2. SMP Jack to Jack Adapter

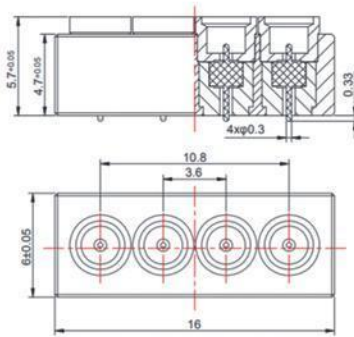
**Mini-SMP Connector**

P/N	Picture	Drawing	Remark
RHT-MS-JHD1			1. Material: Brass/Gold Plating 2. Full Detent 3. Recommend PCB Layout 
RHT-MS-JHD10			1. Material: Brass/Gold Plating 2. Full Detent 
RHT-MS-JHD12			1. Material: Brass/Gold Plating 2. Full Detent 3. Recommend PCB Layout 
RHT-MS-JHD20R			1. Material: Brass/Gold Plating 2. Full Detent
RHT-MS-KK			1. Material: Brass/Gold Plating 2. Mini-SMP Jack to Jack Adapter
RHT-MS-J2MD			1. Material: Brass/Gold Plating 2. Full Detent

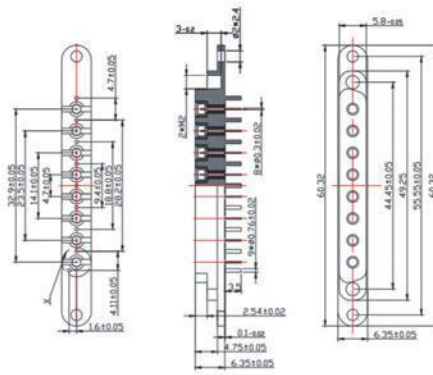
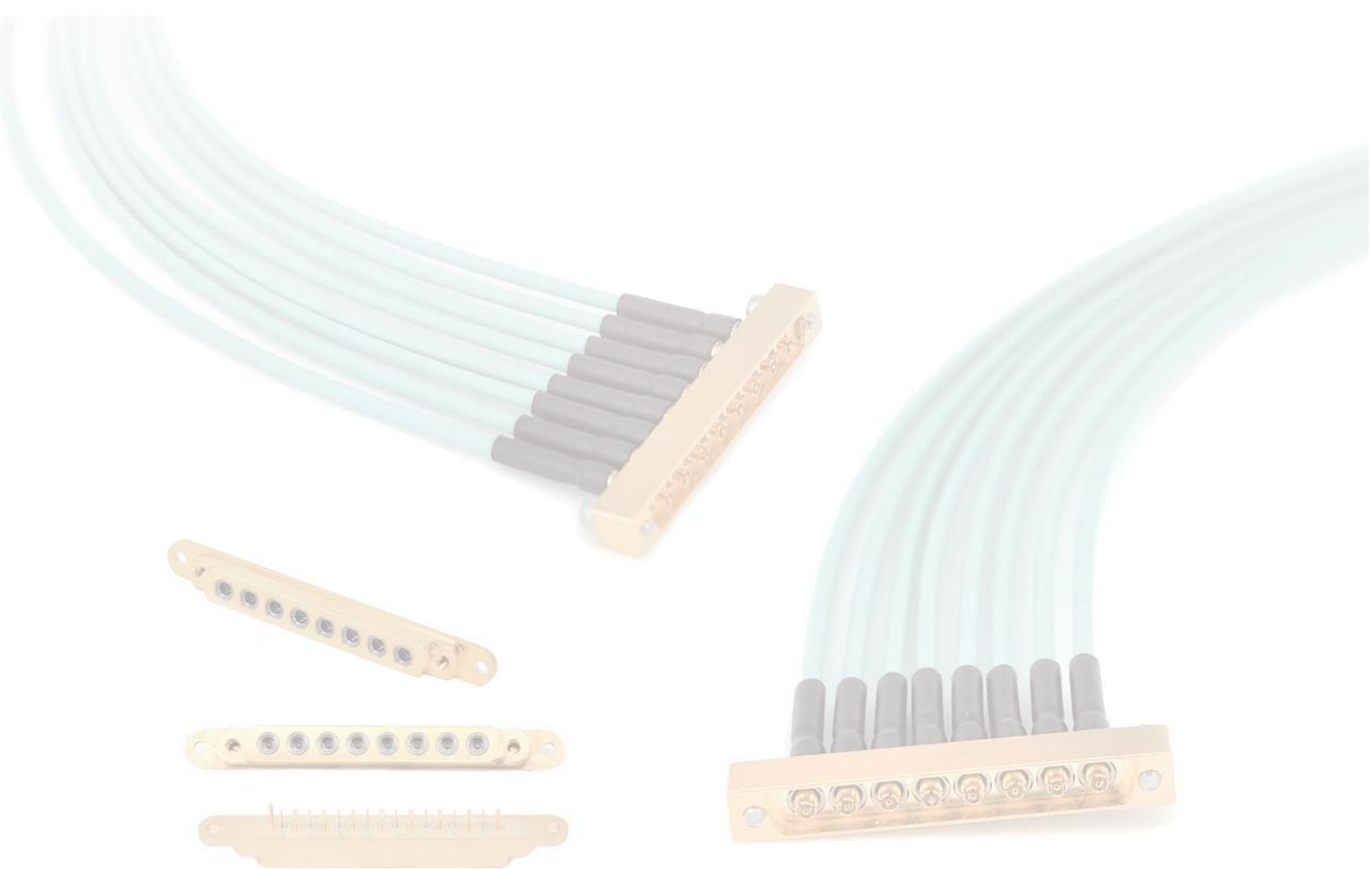
**Mini-SMP Connector**

P/N	Picture	Drawing	Remark
-----	---------	---------	--------




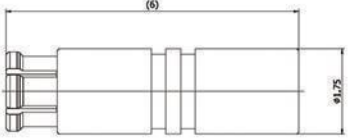

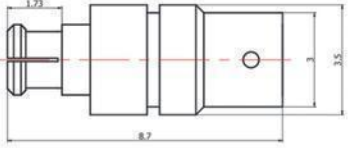

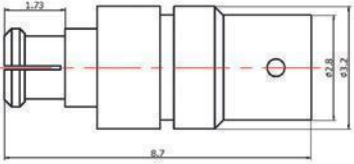

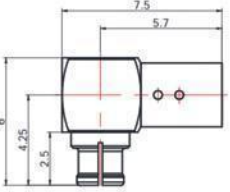

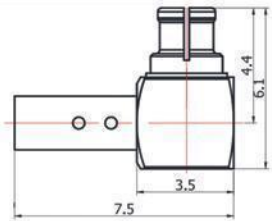
RHT-MS-J4MD

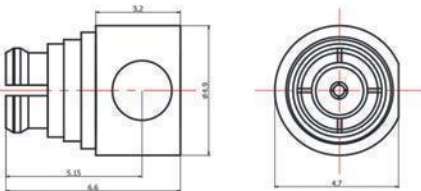

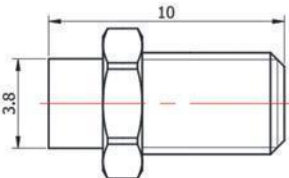
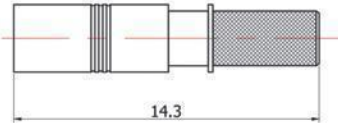

1.Material: Brass/Gold Plating  
2.Smooth Bore

RHT-MS-J8MD


1.Material: Brass/Gold Plating  
2.Smooth Bore


SMP/Mini-SMP/SMPS Cable Connector

P/N	Picture	Drawing	Remark
RHT-SS-KB2			085 Semi-flexible/Semi-rigid Cable RG405 Flexible Cable
RHT-SS-KB1			047 Semi-flexible/Semi-rigid Cable
RHT-MS-KB2			085 Semi-flexible/Semi-rigid Cable RG405 Flexible Cable
RHT-MS-KB2-3			085 Semi-flexible/Semi-rigid Cable RG405 Flexible Cable
RHT-MS-KWB2			085 Semi-flexible/Semi-rigid Cable RG405 Flexible Cable
RHT-MS-KB1			047 Semi-flexible/Semi-rigid Cable

P/N	Picture	Drawing	Remark
RHT-S-KB2			085 Semi-flexible/Semi-rigid Cable RG405 Flexible Cable
RHT-S-KWB2			085 Semi-flexible/Semi-rigid Cable RG405 Flexible Cable
RHT-S-KB1			047 Semi-flexible/Semi-rigid Cable
RHT-S-JYB2			085 Semi-flexible/Semi-rigid Cable RG405 Flexible Cable
RHT-S-J3			RG316 Cable
RHT-S-K3			RG316 Cable

# Renhotec Group Limited

---

**Head Office:**

No.555, Wenhua Avenue, Hongshan District 430070, Wuhan City, Hubei, China.

**Factory 1:**

No.25, Ningjiang Road, Humen Town, Dongguan City, Guangdong Province, China.

**Factory 2:**

Building 5, Wanyang Zhongchuang City, Daze Park, Shenjiang Industrial Park, Daze Town, Xinhui District, Jiangmen City, Guangdong Province, China

**Web:** <https://www.renhotecrf.com> | <https://www.dosinconn.com>

**Tel:** +86 15925121787

**Email:** [sale@renhotec.com](mailto:sale@renhotec.com)

